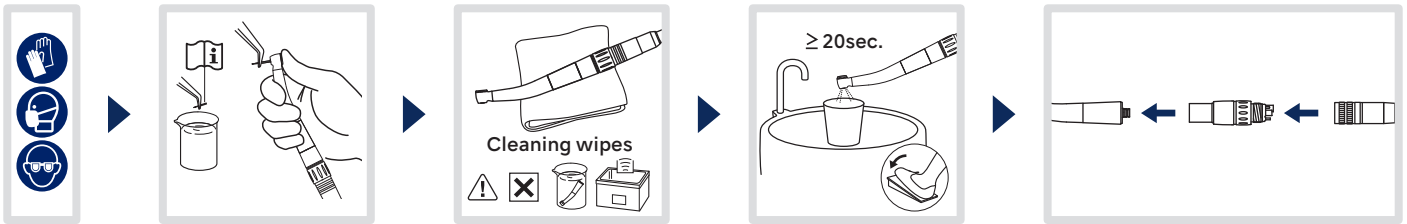
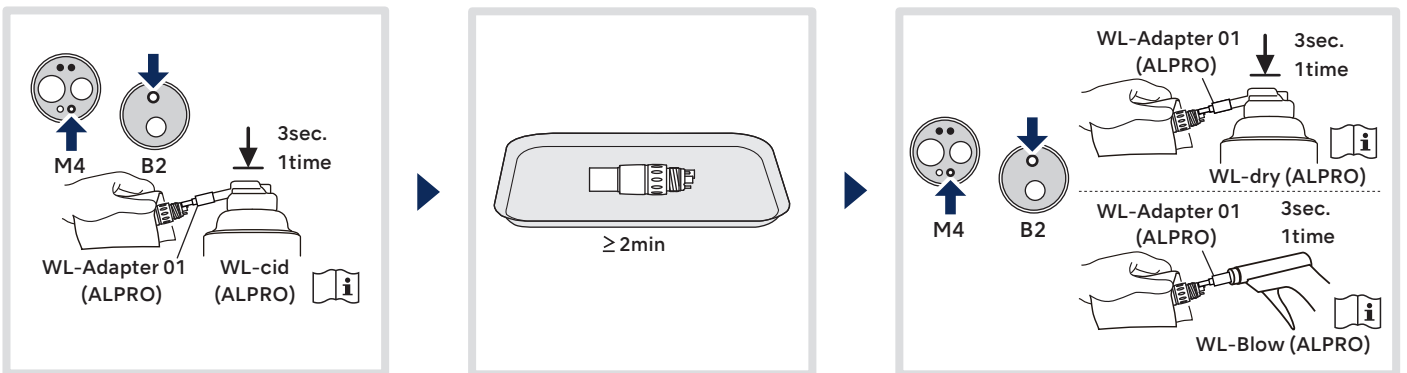
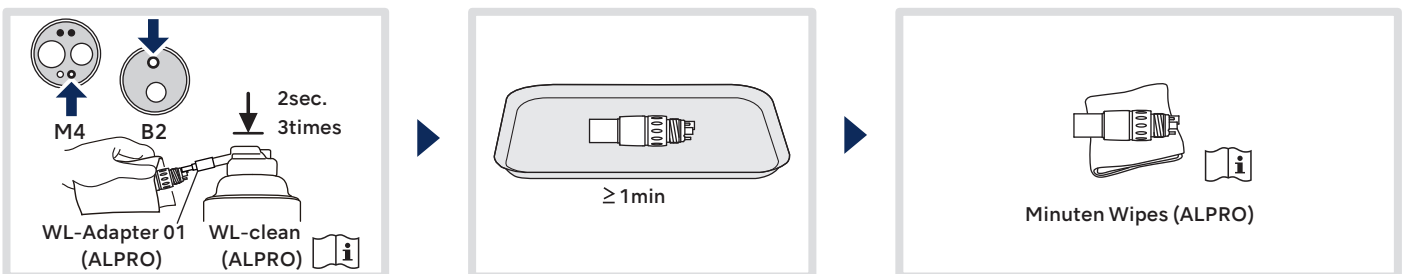
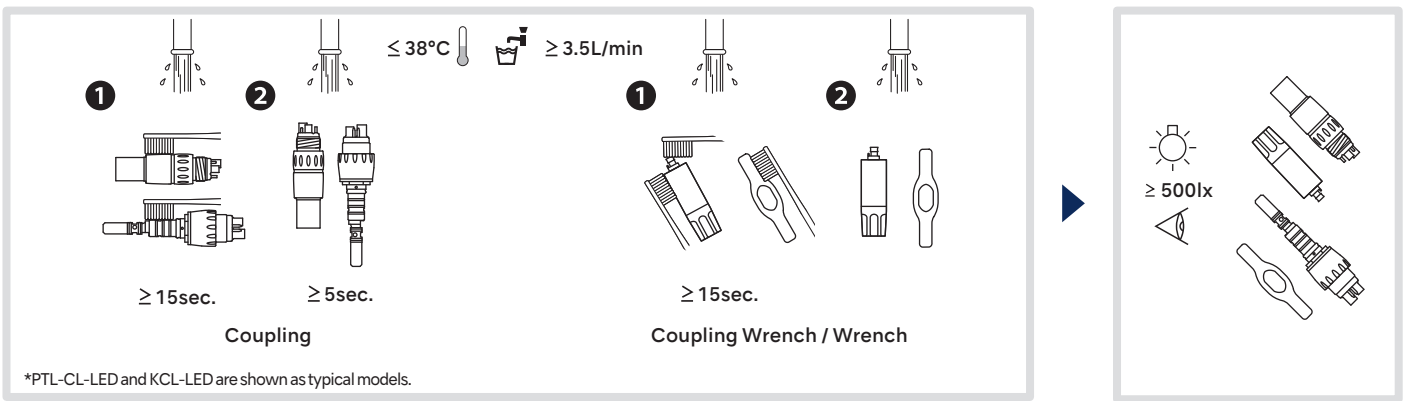


### 1 Preparation



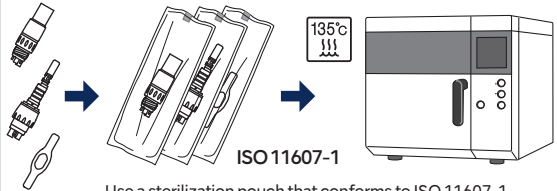
### 2 Cleaning, Disinfection and Drying

#### Manual



- ⚠ After cleaning remove any remaining moisture using a dry cloth or compressed air ensuring it is dry internally and externally.
- Cover the product with a cloth when drying with compressed air to prevent water aerosol from being produced.
- Use a nationally approved disinfectant with proven bactericidal, fungicidal, and virucidal properties.

### 3 Packaging, Sterilizing and Drying



ISO 11607-1

Use a sterilization pouch that conforms to ISO 11607-1.  
Seal the pouch.  
Maximum temperature for NSK instruments is 135°C.

Type	Class N	Class B
Temperature	132°C	134°C
Full Cycle Time	≥15min	3-18min
Drying Time	≥30min	≥30min

Perform steam sterilization using the conditions above.  
Use a steam sterilizer to perform sterilization.

**CAUTION**

Steam sterilization  
 Plasma  
 EO

### 4 Storage

